

 **Owandy**
RADIOLOGY



Let the
future begin!



I-MAX

Wall-mounted panoramic system





Honed from unrivalled technological and industrial expertise, the latest generation of I-Max panoramic systems is here to usher you into a new era.

Futuristic design coupled with ergonomics

Its sleek, sophisticated and lightweight design makes this system an attractive and valuable asset for your clinic. The new I-Max is the lightest panoramic system available. As with an ordinary intra-oral X-Ray generator, it can be installed on a wall and linked to your network without the need for a dedicated PC.

The panoramic X-Ray system is now indispensable for dentists keen to offer their patients the best possible care. The future starts here! So choose the I-Max and let your clinic set the standard by using cutting-edge equipment that's ahead of its time.

Exceptional image quality

It's not just the design and lightweight concept that make it innovative. With the I-Max you can carry out any examination your patients could need, enjoying ultra-high definition images in every X-Ray. You'll be able to view all clinical and anatomical details with maximum precision. Your diagnostics will be conducted in complete safety.

Ahead of its time...







Poor patient positioning is the reason behind the majority of failed images. Now, with its lasers and temple clamps, the I-Max features face-to-face operation, to ensure optimum patient positioning. What's more, with its ALI-S (Automatic Layers Integration System), your unit will immediately and automatically select the best shots in order to display a perfect image, without any intervention on your part.

The I-Max is also unique in its didactic – and almost educational! - Human-Machine Interface (HMI). Its imaging tools and enhancing filters are automatically integrated into the control software.

Easy to install and use

This ultra-compact and lightweight system comes in one easy-to-handle package. Incorporating an exclusive "Easy to Install" system, the I-Max is delivered to your clinic fully assembled. Its intelligent installation system means that only one technician is required to fit it on the wall.

Crammed to the hilt with technology, all of its electronic components have been optimised. The I-Max minimizes the risk of system failures and facilitates maintenance work.

The future is coming to your clinic





List of programs

Boasting 24 programs, the I-Max is designed to conduct the full range of examinations your practice demands:

- Standard panoramic
- Right/left semi-panoramic
- Reduced dose panoramic
- Panoramic with improved orthogonality
- Standard bitewing
- Left/right bitewing
- Frontal dentition
- Maxillary sinus examination
- TMJ examinations

All these programs are available in both adult and child versions.



A controlled, balanced budget

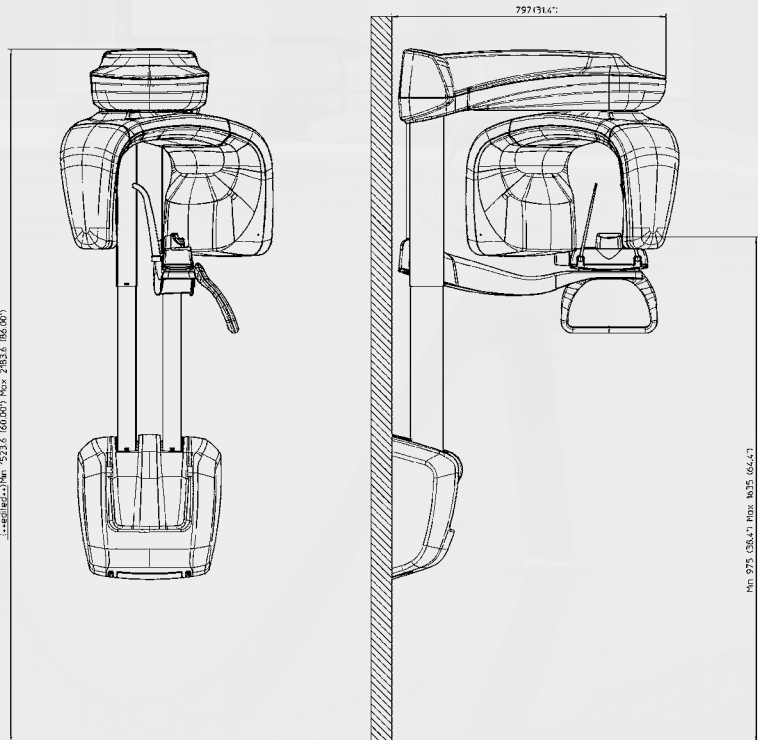
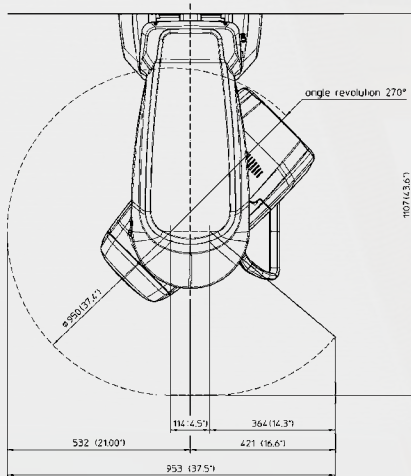
The result of optimized manufacturing processes, the new I-Max clearly offers a superlative Performance/Investment ratio, with lower purchase, delivery and installation costs and easier maintenance. We haven't compromised our image quality, however, which guarantees ultra-high definition results. By choosing the I-Max, you'll be using the smallest, lightest and most comprehensive panoramic system on the market.

Perfection within your budget!



TECHNICAL FEATURES:

Category	Class II B / CE0051
Power supply	110-120 V, 220-240 V to 50/60Hz
Anode voltage	60 ÷ 70 kV
Anode current	2 ÷ 7,1mA
SID (Source to Image Distance)	500mm
Total weight (wall-mounted version)	62kg
Inherent filtration	> 2mm Al eq. @ 70 kVp
HF generator	Constant potential
X-Ray focal spot	0.5mm EN 60336
Connection	LAN, Ethernet (no dedicated PC required)
Digital sensor	HD CCD + fibre optic
CCD resolution	10.4 pl/mm
Exposure time	From 2.44 to 14.4 secs (Adult / Child PAN)
Magnification	From 1.20 to 1.23
Optional	Version with column



Medical device class IIb / CE0051.
Read carefully the instructions before use.



BEST Communication - RCS Meaux 453 054 298 - Non contractual visuals - BR_IMAX_EN_REV02

Dealer's stamp

Owandy Radiology

2, rue des Vieilles Vignes
77183 Croissy-Beaubourg
FRANCE

Tel.: +33 (0)1 64 11 18 18
Fax: +33 (0)1 64 11 18 10
Email: export@owandy.com
www.owandy.com



- DIGITAL SENSORS
- PLATE SCANNER
- 2D - 3D PANORAMICS**
- INTRA-ORAL RADIOLOGY
- CAMERAS
- SOFTWARE